

Operators Manual Integrated Cleaner

A40-039



BRANSON
Ultrasonics Corporation
41 Eagle Road
Danbury, CT 06-813-1961
(203) 796-0400

1 Introduction

1.1 About This Manual

This manual contains instructions for installing, operating and maintaining Integrated Cleaners.

Repair instructions are contained in a separate manual.

The following definitions apply in this manual:

Note: Inconvenience only if disregarded - no damage or personal injury.

Caution: Equipment damage may occur, but not personal injury.

 **Warning:** *Personal injury may occur - DO NOT DISREGARD.* 

PN indicates Part Number.

Part(s) indicates your workpiece or component to be cleaned.

1.2 Manual Change Information

At Branson, we strive to maintain our position as the leader in ultrasonic cleaning and related technologies by continually improving circuits and components in our equipment. These improvements are incorporated as soon as they are developed and thoroughly tested. Change sheets are added to the manual periodically to reflect these improvements.

1.3 Unpacking and Handling

Use reasonable precautions when unpacking and handling your system. To avoid damage, use the shipping container when transporting the equipment.

Inspect all external controls and surfaces prior to setup to detect possible shipping damage. Report any damage at once to the carrier.

Note: The carrier is responsible for damage to equipment during shipment. If damage has occurred, notify the carrier immediately. Retain packing materials for inspection. The customer is responsible for filing the claim.

1.4 Warranty

IC Series Ultrasonic Cleaners, when used in accordance with manufacturer's instructions and under normal use, are guaranteed for one year after date of shipment. Within the period guaranteed, Branson Ultrasonics will repair or replace free of charge, at its sole discretion, all parts that are defective because of material or workmanship.

Branson's liability, whether based on warranty, negligence or other cause, arising out of and/or incidental to sale, use or operation of the transducer elements, or any part thereof, shall not in any case exceed the cost of repair or replacement of the defective equipment, and such repair or replacement shall be the exclusive remedy of the purchaser, and in no case shall Branson be responsible for any and/or all consequential or incidental damages including without limitation, and/or all consequential damages arising out of commercial losses.

1.1 Warnings



Warnings – Do's and Don'ts



Before using your ultrasonic cleaner, please read and thoroughly understand these warnings. Failure to follow them may result in serious personal injury or property damage.

To avoid electrical shock:

- Do keep the control panel and the area around the cleaner clean and dry - wipe up solution which spills over the tank brim. Water and high voltage can cause electrical shock.
- Don't operate the cleaner without proper grounding.
- Don't remove the grounding prong on the line cord plug.
- Don't disassemble your cleaner - high voltage inside the cleaner is dangerous.
- Don't immerse the cleaner in water.

To prevent personal and/or property damage:

- Use only non-flammable, non-combustible water-based solutions. Don't ever use alcohol, gasoline or flammable solutions. Do not use any solution that has a flash point. Using flammable or combustible solutions may result in a fire and severe burns.
- Always wear protective clothing; face shield and waterproof gloves and apron, when handling cleaning solutions. Thermal and chemical burns may result from splashed or spilled chemicals.
- Always add chemicals to water. Never add water to chemicals. Adding water to chemicals may result in violent reactions that splash hot chemicals and can cause thermal or chemical burns.
- Never pick up a solution filled tank. Splashing may cause thermal or chemical burns.
- Do not overfill the tank. The tank may flood when large parts are inserted and cause thermal or chemical burns.
- Don't touch the stainless steel tank or cleaning solution - they may be hot.
- Don't place your fingers or hands into the tank while the cleaner is operating. Doing so may cause discomfort and possible skin irritation. Avoid contact with solutions and provide adequate ventilation.
- Don't use solutions containing chlorine bleach.

To prevent damage to the cleaner:

- Do change your solution regularly.
- Don't ever use solutions that could attack stainless steel.
- Don't operate the cleaner dry.
- Don't place parts or containers directly on the bottom of the cleaning tank; use a wire basket or wire to suspend items. Failure to comply may cause transducer damage and will void your warranty.
- Don't allow the solution to drop more than 4 inches below the top with heat or ultrasonics on. Failure to comply may cause transducer and/or heater damage and will void your warranty.
- Do not use corrosive solutions such as bleaches, strong acids or powerful caustics in ultrasonic tanks. They may damage the tank. Using prohibited solutions will void the warranty.

1.2 Table of Contents

Operators Manual	1
Integrated Cleaner.....	1
1 Introduction	2
1.1 About This Manual.....	2
1.2 Manual Change Information.....	2
1.3 Unpacking and Handling	2
1.4 Warranty	2
1.1 Warnings.....	3
1.2 Table of Contents.....	4
1.3 List of Figures.....	5
1.4 General System Description	6
1.5 How Ultrasonics Works.....	7
1.6 Ultrasonic Frequency Selection	7
1.7 Ultrasonic Damage to Parts	7
2 Specifications.....	8
2.1 Cleaner Specifications	8
3 Component Locations	11
3.1 Control Components.....	11
3.1.1 POWER Switch	11
3.1.2 ON/OFF Switch	11
3.1.3 DIGITAL NUMBER DISPLAY	11
3.1.4 LED-DISPLAY	11
3.1.5 SET DISPLAY Switch	12
3.1.6 CLEAR DISPLAY Switch	12
3.1.7 SELECT OPTION Switch	12
3.2 Tank Components.....	12
4 Operation	13
4.1 Location.....	13
4.2 Plumbing Connections.....	13
4.3 Electrical Connections.....	13
4.4 Filling With Solution	14
4.4.1 Cleaning Solutions.....	14
4.5 Solution Compatibility.....	15
4.6 Filling the Tank.....	15
4.7 Turning Power On	16
4.8 Turning Power Off.....	16
4.9 Degassing.....	16
4.10 Setting Degas Time.....	16
4.11 Turning Degas On and Off	17
4.11.1 Interrupting Degas	17
4.11.2 Resetting time during degassing	17
4.12 Setting Ultrasonic Time.....	17
4.13 Turning Ultrasonics On and Off	17
4.13.1 Interrupting the ultrasonics	17
4.13.2 Resetting time during cleaning	17
4.14 Setting Tank Temperature	18
4.15 Turning Heat On and Off.....	18
4.16 Displaying the Current Temperature	18
4.17 Loading Parts into the Cleaner.....	18
4.17.1 Loading Baskets.....	18
4.17.2 Suspending Parts.....	19
4.18 Cleaning the Parts.....	19

4.19	Draining The Cleaner	19
5	Troubleshooting.....	20
5.1	Routine Inspection.....	20
5.2	Lubrication	20
5.3	Troubleshooting.....	20
6	Assistance.....	22
6.1	Calling the Local Branson Representative.....	22
6.2	Obtaining Replacement Parts	22

1.3 List of Figures

Figure 1-1	Integrated Cleaner.....	6
Figure 2-1	NEMA 6-15 Receptacle.....	8
Figure 2-2	IC1216 Dimensions	9
Figure 2-3	IC1620 Dimensions	10
Figure 3-1	IC Control Panel	11
Figure 3-2	IC Components	12
Figure 4-1	Specification Label	13
Figure 4-2	Filling the Tank.....	15
Figure 4-3	Cupping	18
Figure 4-4	Trapped Air.....	19

1.4 General System Description

This line of ultrasonic cleaners includes four models and 2 voltages:

Model	208V	240V
IC-1216-25 (12 x 16 tank, 10 gal, 25 khz)	CPN-908-011	CPN-908-013
IC-1216-40 (12 x 16 tank, 10 gal, 40 khz)	CPN-908-012	CPN-908-014
IC-1620-25 (16 x 20 tank, 20 gal, 25 khz)	CPN-908-021	CPN-908-023
IC-1620-40 (16 x 20 tank, 20 gal, 40 khz)	CPN-908-022	CPN-908-024

Each model is manufactured from high quality stainless steel with integrated ultrasonic generator and electrical heating. Units are microprocessor controlled with an LED display for time and temperature functions.

Durable, industrial style 25 or 40 khz transducers provide high quality, consistent cleaning results.

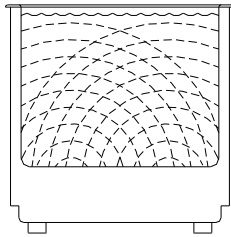
Each cleaner comes complete with a cover and a wire mesh basket.

Figure 1-1 Integrated Cleaner

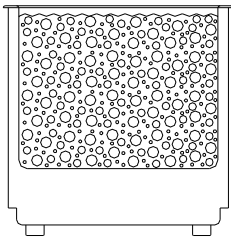


1.5 How Ultrasonics Works

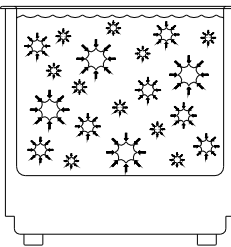
Ultrasonic sound is sound transmitted at frequencies generally beyond the range of human hearing. In your ultrasonic cleaner, ultrasonic sound (sonics) is used for cleaning materials and parts. This is how it works:



As the sound waves from the transducer radiate through the solution in the tank, they cause alternating high and low pressures in the solution.



During the low pressure stage, millions of microscopic bubbles form and grow. This process is called CAVITATION.



During the high pressure stage, the bubbles collapse, or “implode”, releasing enormous amounts of energy. These implosions act like an army of tiny scrub brushes. They work in all directions, attacking every surface and invading all recesses and openings.

1.6 Ultrasonic Frequency Selection

The ultrasonic frequency was selected when the cleaner was purchased. 25 khz units are most effective when cleaning heavier parts with gross contamination. 40 khz units are better for precision cleaning of more delicate parts. Most applications can be cleaned at either frequency.

1.7 Ultrasonic Damage to Parts

Ultrasonic cleaners apply high intensity sound to parts and can damage very fine wires or thin films. Test susceptible parts for damage before cleaning production quantities.

Some semi-precious stones such as pearls, opals and some crystalline materials may be damaged by ultrasonics and should not be ultrasonically cleaned.

2 Specifications

2.1 Cleaner Specifications

	IC 1216	IC 1620
Working Dimensions (LxWxD)	30 x 41 x 30 cm (25 cm liquid) 12" x 16" x 12" (10" liquid)	41 x 51 x 41 cm (36 cm liquid) 16" x 20" x 16" (14" liquid)
Overall Dimensions (LxWxD)	53 x 48 x 43 cm 20.75" x 19" x 16.75"	63 x 58 x 53 cm 24.75" x 23" x 20.75"
Basket Internal Dimensions (LxWxD)	25 x 35 x 25 cm 10" x 14" x 10"	35 x 46 x 35 cm 14" x 18" x 10"
Weight (empty)	80 lbs	120 lbs
Water Capacity	31 L (8.3 gal)	73L (19.4 gal)
Ultrasonic Power	500W	750W
Heat	1600W	2400W
Input Power	208-240V ±10%, 50-60Hz, 9-10A	208-240V±10%, 50-60Hz, 13-14A
Available Frequencies	25 kHz, 40 kHz	25 kHz, 40 kHz
Maximum Water Temperature	69°C (160°F) ± 4°C	69°C (160°F) ± 4°C
Time Settings	1-99 minutes	1-99 minutes
Maximum Ambient Air	40°C (105°F)	40°C (105°F)
Display Accuracy	± 4°C	± 4°C
Maximum Ground Leakage	<500µA	<500µA

Materials of construction:

Tank: 316-BA stainless steel

Skirt: 304-4 stainless steel

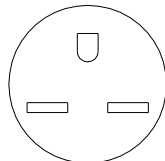
Cover: 304-4 stainless steel

Basket: 304 Stainless steel, #4 mesh, electropolished

Control keypad: Lexan

Plug type: NEMA 6-15P

Figure 2-1 NEMA 6-15 Receptacle



NEMA 6-15

Figure 2-2 IC1216 Dimensions

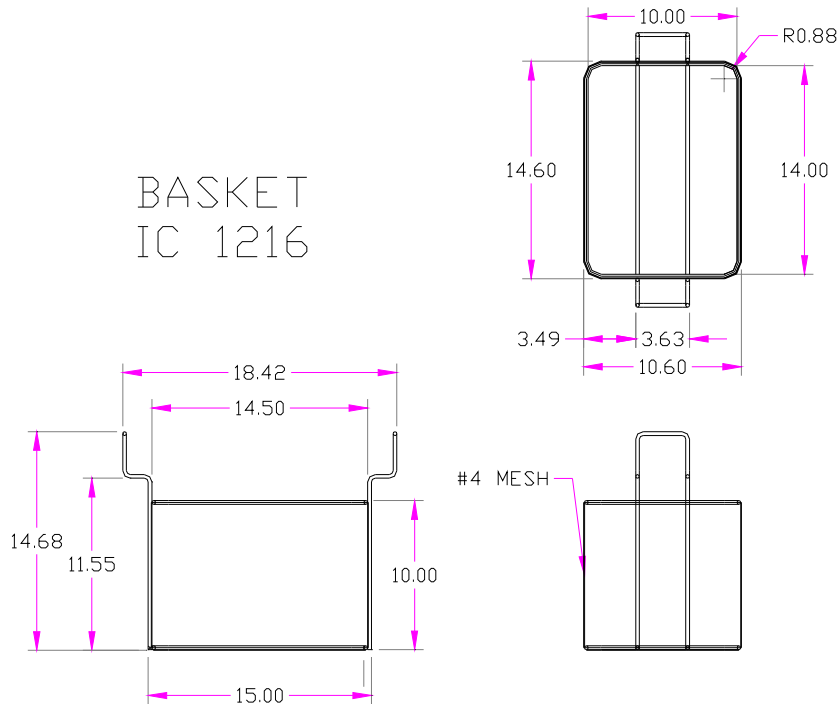
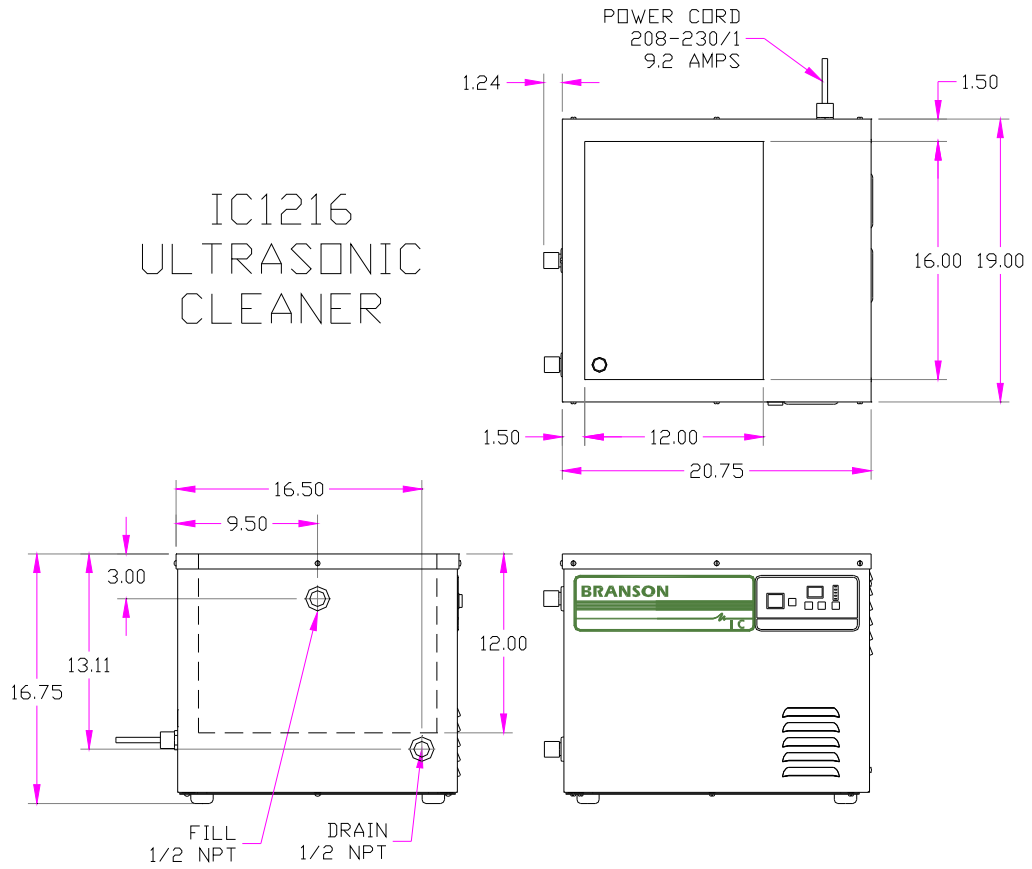
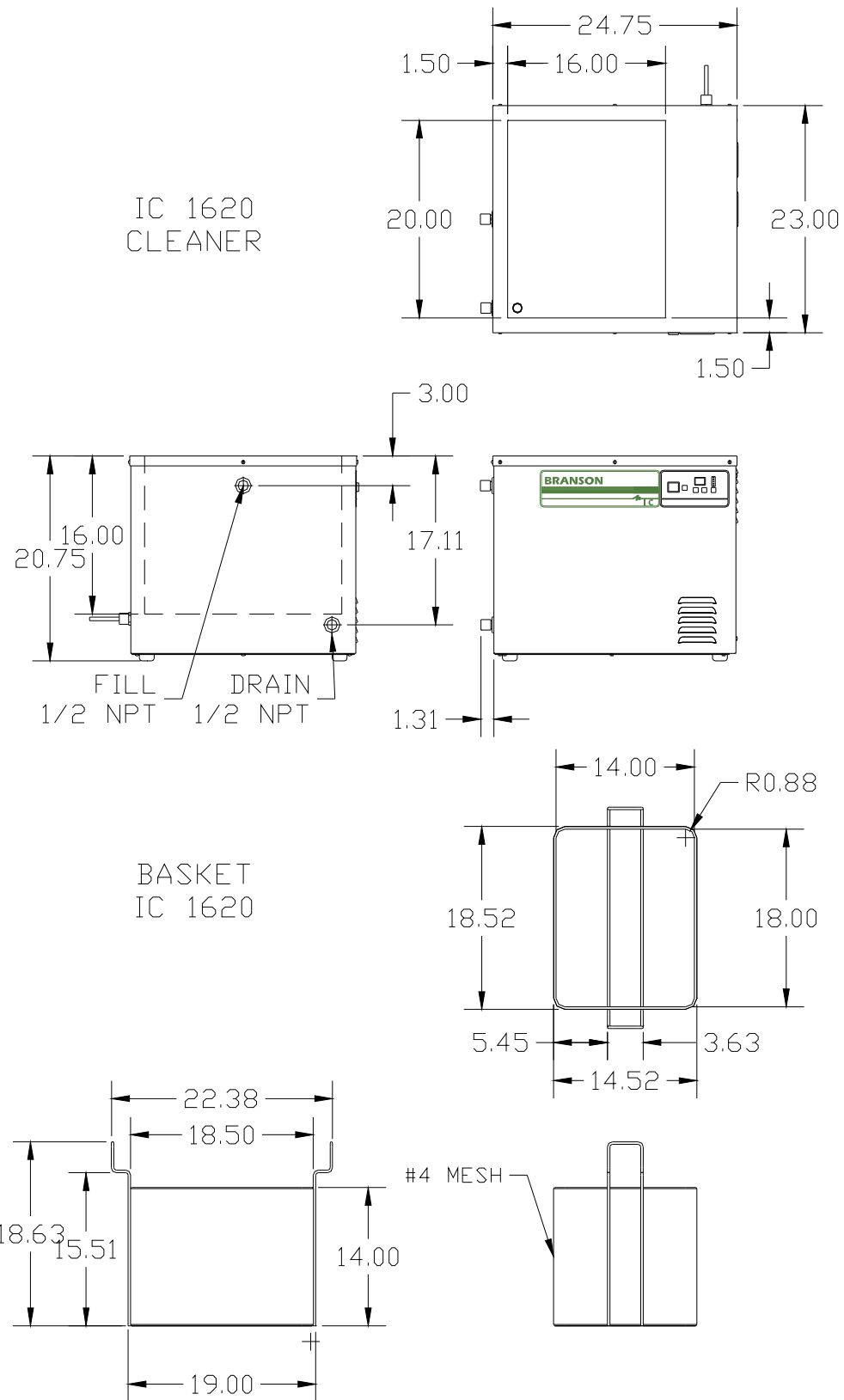


Figure 2-3 IC1620 Dimensions

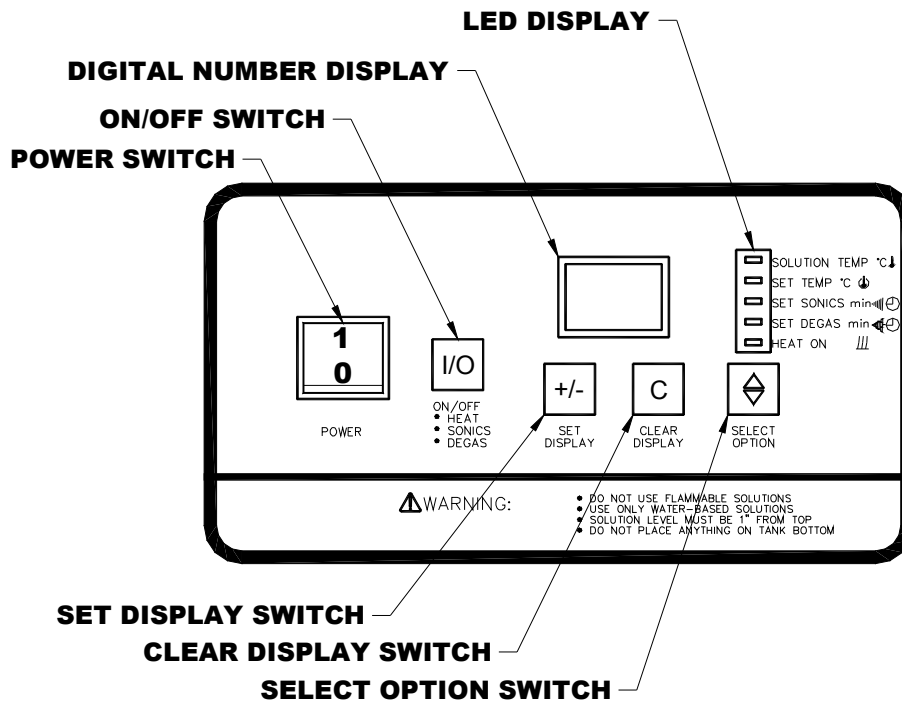


3 Component Locations

Refer to Operating Instructions (Section 4) for full explanation of control operation.

3.1 Control Components

Figure 3-1 IC Control Panel



3.1.1 POWER Switch

Press "1" to turn power ON.

Press "0" to turn power OFF.

3.1.2 ON/OFF Switch

Press to toggle selected functions ON and OFF.

3.1.3 DIGITAL NUMBER DISPLAY

Shows the temperature or time value or setpoint in accordance with the LED-DISPLAY.

3.1.4 LED-DISPLAY

Indicates whether Solution Temperature, Set Temperature, Sonics Set Time or Degas Set Time is active on the Digital Number Display. Indicates Heat ON/OFF status.

3.1.5 SET DISPLAY Switch

Use in conjunction with CLEAR DISPLAY, SELECT OPTION and LED-Display to change function settings.

3.1.6 CLEAR DISPLAY Switch

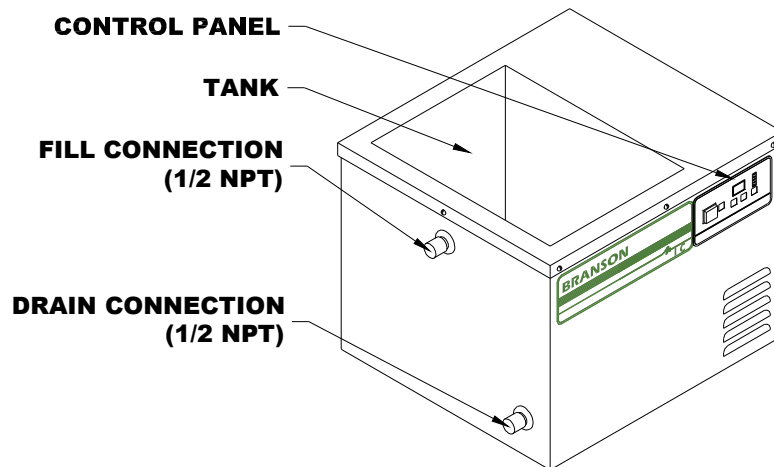
Press to clear the Digital Number Display when in the Set Temp, Set Sonics or Set Degas modes.

3.1.7 SELECT OPTION Switch

Press to toggle the LED-Display between Solution Temp, Set Temp, Set Sonics, Set Degas and Heat On.

3.2 Tank Components

Figure 3-2 IC Components



Not visible in illustration: Power cord and specification label

4 Operation

4.1 Location

- Place the cleaner on a flat well drained surface.
- Allow at least 2 inches of space on the right side to exhaust cooling air.

Caution: Do not remove the feet from the cleaner or block air flow to the bottom panel. The cooling fan draws from the bottom and the ultrasonic generator will be damaged if air flow is not provided.

4.2 Plumbing Connections

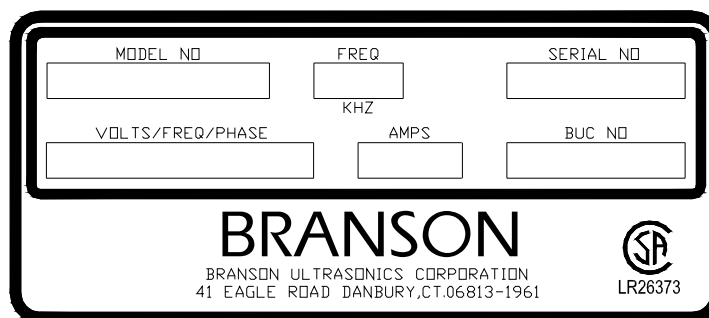
- The cleaner is provided with a valve for the drain and a threaded cap on the fill fitting. The drain valve is shipped loose and must be installed prior to filling the cleaner.
- Install the ½ npt valve on the drain fitting. Connect this valve to drain in accordance with local wastewater regulations.
- If the fill fitting is connected to a public water supply, install a back flow preventer to ensure that cleaning solution does not get drawn into the water supply pipes.

4.3 Electrical Connections

- Check the specification label on the back of the cleaner for power requirements. The supply voltage must be within $\pm 10\%$ of the specification label voltage. Do not place the cleaner on a circuit that could become overloaded.
- Position the cleaner within easy reach of a standard grounded electrical outlet.
- Plug the cleaner into a grounded and fused receptacle.

Note: Do not use a ground fault protected (GFI) circuit. Normal leakage from the RF circuit will trip the protector. Ground leakage is less than 500 μ A.

Figure 4-1 Specification Label



4.4 Filling With Solution

4.4.1 Cleaning Solutions



WARNING



Use only non-flammable, non-combustible water-based solutions. Do not use any solution that has a flash point. Using flammable or combustible solutions may result in a fire and severe burns.

Caution: Do not use corrosive solutions such as bleaches, strong acids or powerful caustics in ultrasonic tanks. They may damage the tank. Using prohibited solutions will void the warranty.

4.4.1.1 Solution types:

Water-based solutions are either slightly acidic or alkaline. They include detergents, soaps and industrial cleaners designed to remove specific soils.

- **Acidic water-based solutions:** remove rust, tarnish or scale. They range from mild solutions that remove tarnish, to concentrated inhibited acidic solutions that remove investment plaster, milk-stone, zinc oxide and rust from steel and cast iron as well as smut and heat-treat scale from hardened steel.
- **Alkaline water-based solutions:** include carbonates, silicates and caustics. These cause emulsifying action, which keeps soil from re-depositing on the cleaned surface, and improves cleaning action in hard water.
- **Wetting Agents or Surfactants:** reduce the surface tension of the water to allow the water to wet the part surface. Wetting agents increase ultrasonic activity.

Table 1 Solution Recommendations

Market / Application	Solution Type	Concentration in water	Temp. (°F)	pH	Recommended Product
Buffing compounds – remove tripoli, rouge, etc.	Surfactant detergent	6 – 7 %	70 – 180	6.4	Branson BC
Electronics – remove oil, resin & rosin	Non-ionic Strong alkaline	2 – 5 %	130 – 160	12.5	Branson EC
General – remove light oil, grease, dust & particulate	Mild alkaline surfactant	10 – 12 %	70 – 180	12.1	Branson GP
Jewelry – remove particulate, soap, hand cream & oxide	Mild alkaline surfactant	10 – 12 %	70 – 140	12.1	Branson JC
Metal Mfg – remove oil & grease from cutting & polishing	Strong alkaline surfactant	7 – 10 %	120 – 160	12.4	Branson MC-3
Optical – remove dust, oil, fingerprints, pitch & wax	Surfactant Mild alkaline	7 – 10 %	130 – 180	9.8	Branson OC
Metal Mfg – remove rust, oxide & lime	Citric acid or Phosphoric acid	6 – 7 %	70 – 120	3.8	Branson OR
Stripping - heavy duty cleaning, paint stripping, mold cleaning & de-scaling.	Strong caustic	3 – 6 %	160 – 180	13.0	Branson LRS

4.4.1.2 Solution Performance Factors

- **Heat and cavitation:** These increase the chemical activity of cleaning solutions. Some materials may be damaged by this stronger chemical action. When in doubt, test run samples of items to be cleaned.

- **Solution amounts:** Chemistry concentrations may vary. The amount of chemistry you use depends on the detergent and the type of soil to be removed. Follow instructions on the solution container.
- **Solution Characteristics:** Certain solutions cavitate better than others. Contact your local solution distributor for further information.

4.4.1.3 Solution Life

Change the cleaning solution periodically. Cleaning solutions become depleted through use and can become contaminated with suspended soil particles that coat the tank bottom, dampen the ultrasonic action and reduce cleaning efficiency.

4.5 Solution Compatibility

Cleaning solutions may interact with materials and cause staining or etching. The following table is a guideline for use with Branson solutions. Consult the solution supplier for compatibility of non-Branson solutions.

Table 2 Solution Compatibility

	Steel	Brass	Aluminum	Magnesium	Zinc	Copper or Stainless	Tin
BC Buffing Compound	none	Slight stain	none	none	attacks	none	none
EC Electronics Cleaner	none	none	Slight etch	none	none	none	none
GP General Purpose	none	none	Slight etch	none	none	none	none
JC Jewelry	none	none	none	none	none	none	none
OC Optical	none	none	none	none***	none***	none	none***
OR Oxide Remover	slight	none	Slight attack	attacks	attacks	none	none
MC-3 Metal Cleaner	none	none	none	none	none	none	none
LRS Rust Stripper	none	none	attacks**	attacks**	attacks	none	Slight attack

* Slight etch on some aluminum alloys.

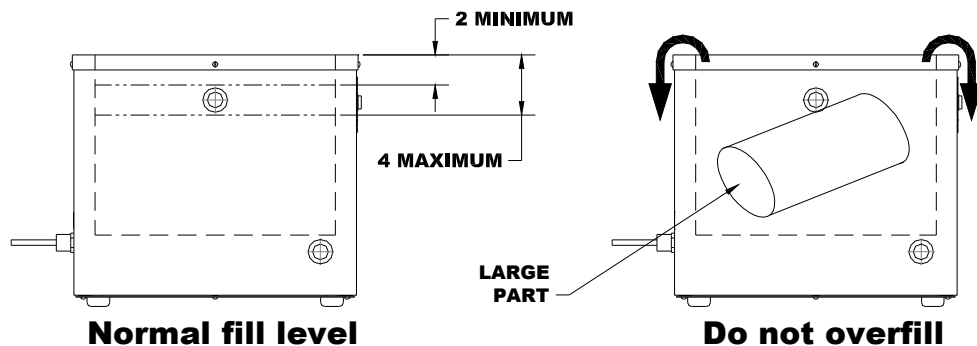
** Warning: Free hydrogen may be released if solution comes in contact with reactive metals.

*** No effect if solution temperature is less than 140°F.

4.6 Filling the Tank

Fill the tank to 2 to 4 inches below the top with the selected pre-mixed solution. Allow for the volume of parts that may be cleaned.

Figure 4-2 Filling the Tank





WARNINGS



Use only non-flammable, non-combustible water-based solutions. Don't ever use alcohol, gasoline or flammable solutions. Do not use any solution that has a flash point. Using flammable or combustible solutions may result in a fire and severe burns.

Always wear protective clothing; face shield and waterproof gloves and apron, when handling cleaning solutions. Thermal and chemical burns may result from splashed or spilled chemicals.

Always add chemicals to water. Never add water to chemicals. Adding water to chemicals may result in violent reactions that splash hot chemicals and can cause thermal or chemical burns.

Never pick up a solution filled tank. Splashing may cause thermal or chemical burns.

Do not overfill the tank. The tank may flood when large parts are inserted and cause thermal or chemical burns.

Caution: Do not operate cleaner with the solution more than 4 inches below the top of the tank. The heaters on the sides of the tank will be damaged if operated when not completely covered by solution. The ultrasonics may be damaged if operated with no solution in the tank.

4.7 Turning Power On

Press the POWER switch at the “1” to turn power on. The cleaner will run through a three second self-test. The LED next to “SET DEGAS min” will light and the display will show the Degas set time (in minutes).

4.8 Turning Power Off

Press the POWER switch at the “0” to turn power off. All functions will turn off and the displays will be dark.

Note: Wait at least 10 seconds before turning POWER on after turning it off. If POWER is turned on too soon, the cleaner will restart in the same configuration as it had when it was turned off except that the control panel will be inoperative. Turn POWER off for 10 seconds to return to normal operation with all functions off.

4.9 Degassing

Fresh solutions and solutions that have been idle for more than 24 hours contain dissolved gases that reduce ultrasonic action. Operating the ultrasonics will remove these gases. Degas mode is provided as a convenience to operate the ultrasonics for the time required to degas.

4.10 Setting Degas Time

- Press the SELECT OPTION Switch until the LED next to “SET DEGAS min” lights. The current Degas setpoint is displayed in Digital Number Display. The default time is 5 minutes.
- Press CLEAR DISPLAY switch to set the time to 0.
- Repeatedly press SET DISPLAY to set the desired Degas time between 01 and 99 minutes.

4.11 Turning Degas On and Off

Note: Degas cannot be started if SONICS are on.

- Press the SELECT OPTION Switch until the LED next to “SET DEGAS min” lights. The current Degas setpoint is displayed in Digital Number Display.
- Press ON/OFF to toggle Degas on. Degas will operate for the set time. The display will count down the time remaining on the Digital Number Display.
- When the timer times out, the ultrasonics will turn off and the display will show the Degas set time.

4.11.1 Interrupting Degas

- Press ON/OFF to toggle Degas off before the set time has expired. The display will show the set time.
- If ON/OFF is pressed again, Degas will resume from where it was stopped and the display will show the time remaining.

4.11.2 Resetting time during degassing

- Press ON/OFF to toggle Degas off before the set time has expired.
- Press the SELECT OPTION switch until the “SET DEGAS min” LED lights.
- To increase time, press the SET DISPLAY switch until the desired setting is displayed.
- To decrease time, press the CLEAR DISPLAY switch then press the SET DISPLAY switch until the desired setting is displayed.

4.12 Setting Ultrasonic Time

- Press the SELECT OPTION Switch until the LED next to “SET SONICS min” lights. The current setpoint is displayed in Digital Number Display.
- Press CLEAR DISPLAY switch to set the time to 0.
- Repeatedly press SET DISPLAY to set the desired Sonics time between 01 and 99 minutes.

4.13 Turning Ultrasonics On and Off

Note: Ultrasonics cannot be started if Degas is on.

- Press the SELECT OPTION Switch until the LED next to “SET SONICS min” lights. The current setpoint is displayed in Digital Number Display.
- Press ON/OFF to toggle Sonics on. The ultrasonics will operate for the set time. The display will count down the time remaining on the Digital Number Display.
- When the timer times out, the ultrasonics will turn off and the display will show the sonics set time.

4.13.1 Interrupting the ultrasonics

- Press ON/OFF to toggle sonics off before the set time has expired. The display will show the set time.
- If ON/OFF is pressed again, the sonics function will resume from where it was stopped and the display will show the time remaining.

4.13.2 Resetting time during cleaning

- Press ON/OFF to toggle sonics off before the set time has expired.
- Press the SELECT OPTION switch until the “SET SONICS min” LED lights.
- To increase time, press the SET DISPLAY switch until the desired setting is displayed.

-
- To decrease time, press the CLEAR DISPLAY switch then press the SET DISPLAY switch until the desired setting is displayed

4.14 Setting Tank Temperature

Heat increases the chemical activity of cleaning solutions.

- Press the SELECT OPTION Switch until the LED next to “SET TEMP oC” lights. The current setpoint is displayed in Digital Number Display (in degrees C).
- Press CLEAR DISPLAY switch to set the temperature to less than the current setpoint. “00” will be displayed.
- Repeatedly press SET DISPLAY until the desired temperature between 01 and 69 °C is displayed.

4.15 Turning Heat On and Off

- Press the SELECT OPTION Switch until the LED next to “SET TEMP oC” lights. The set temperature in °C is displayed in Digital Number Display.
- Press ON/OFF to toggle Heat on or off. The LED next to “HEAT ON” will light.
- Wait until the solution reaches the desired operating temperature. The tank will heat more rapidly if the tank is covered when no actually cleaning parts. The tank will heat more rapidly if the ultrasonics are on.
- Operating with the cover on will cause the tank to heat faster and will allow operation at higher temperatures.

Note: The ultrasonics may heat the solution beyond the temperature set point. If this happens, turn the cleaner off and allow the solution to cool or replace some of the warm solution with cold solution.

4.16 Displaying the Current Temperature

Press the SELECT OPTION Switch until the LED next to “SOLUTION TEMP oC” lights. The current temperature is displayed in Digital Number Display (in degrees C). The cleaning cycle will continue during this process.

4.17 Loading Parts into the Cleaner

Caution: Do not place parts or containers directly on the bottom of the cleaning tank. Contact with parts or baskets may damage the tank or the ultrasonic elements. Use a wire basket or wire to suspend items.

4.17.1 Loading Baskets

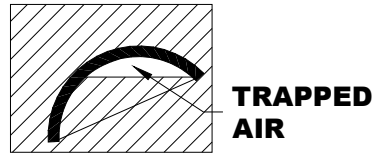
- Place items in the wire basket so that they do not cup liquids. Cupping liquids will cause poor drying and staining.

Figure 4-3 Cupping



-
- Place items in the baskets so that they do not trap air when immersed. Trapped air will prevent the solution from contacting the soils. No cleaning will take place in the areas not exposed to solution.

Figure 4-4 Trapped Air



- Do not overload baskets. Overloading will cause inconsistent cleaning.
- Use fixtures or racks to orient and separate parts and to prevent nesting. Nesting will cause inconsistent cleaning and staining where the parts contact each other.

4.17.2 Suspending Parts

Suspend individual parts from wires so that they do not contact the tank walls or bottom. Rods may be placed across the top of the tank to support the wires.

4.18 Cleaning the Parts

- Slowly lower the basket into the tank. Do not stir.
- Press the SELECT OPTION switch until the “SET SONICS min” LED is lighted.
- Press the ON/OFF switch to toggle the ultrasonics on. The Digital Number Display will count down the time remaining. The ultrasonics will turn off when time has elapsed and the display will show the set time.
- Slowly remove the basket from the tank. Allow the parts to drip into the tank.
- Rinse the parts with clean water and dry, if necessary.

4.19 Draining The Cleaner

Open the drain valve and allow the tank to drain.
Close the drain valve.

5 Troubleshooting

5.1 Routine Inspection

Check the cleaner for signs of leaks or damage.

5.2 Lubrication

No lubrication is required.

5.3 Troubleshooting



WARNING



High voltage inside - dangerous shock hazard. DO NOT attempt to disassemble or repair the cleaner.

Problem	Cause	What to do
Cleaner will not start.	Cleaner not plugged in properly. POWER switch not ON. Malfunctioning start button. Blown fuse.	Plug into functioning electrical outlet. Press power switch "1". Call Branson Commercial Products Department 800-731-9162. Call Branson Commercial Products Department 800-731-9162.
Cleaner operates but does not heat solution.	HEAT not set properly. Malfunctioning membrane. Malfunctioning heater.	See " Operating your IC cleaner ". Call Branson Commercial Products Department 800-731-9162. Call Branson Commercial Products Department 800-731-9162.
Cleaner operates but does not maintain set temperature.	Malfunctioning heater or sensor components.	Call Branson Commercial Products Department 800-731-9162.

Problem	Cause	What to do
Cleaner operates but display does not function.	Interrupted calibration sequence. Malfunctioning timer board.	Press SET DISPLAY. Call Branson Commercial Products Department 800-731-9162.
Decreased ultrasonic activity.	Solution is not degassed. Solution is spent. Solution level is incorrect for load. Tank bottom is covered with soil particles. Using deionized water in the tank.	Make sure that tank was filled with warm tap water plus cleaning solution and has run 5-10 minutes. Change solution. Adjust solution to operating level line with load. Empty, then clean tank with warm water. Wipe with a nonabrasive cloth. Deionized water does not cavitate as actively as soapy tap water.
Clogged drain.	Clogged drain.	Unblock.

6 Assistance

6.1 Calling the Local Branson Representative

If you have a problem call the Branson Commercial Products Department at 800-731-9162. Before you call, take the following steps:

1. Have this manual with you.
2. Know how your system has been set up and equipped, including any software versions in
3. your system.
4. Describe the problem.
5. List the steps you have already taken.

6.2 Obtaining Replacement Parts

Call Branson Commercial Products Department 800-731-9162.